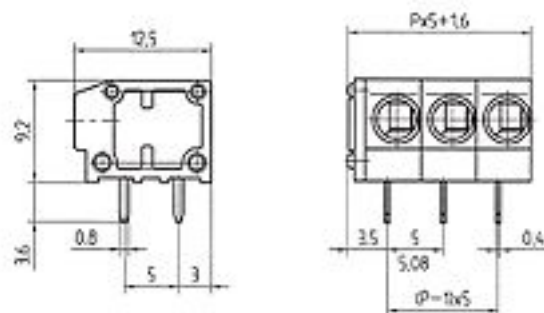


AK 4100




P = No. of poles



AK 4100/.. - 5,0 - slade grey

**1-n poles, Spacing 5,0 mm
insert required no. of poles ..**

Ratings:

			
	UL 1059	CSA 22.2 No. 158	EN 60998
Rated Voltage	300 V	300 V	250 V
Rated Current	10 A	10 A	17,5 A (T60)
Wire Size	AWG 20-14	AWG 20-14	1,5 mm ²
Test Voltage			2,0 kV
Max. Rated Cross Section			
Single Wire (solid)			2,5 mm ²
Stranded Wire (flexible)			on request
Stranded wire with Ferrules			on request

Dimensions

Spacing	5,0 mm
PCB Hole Diameter	1,0 mm
Stripped Length	9,0 mm

Materials

Insulating Material	PA
Flammability Class	UL94 V-0
Temperature Range	-30°C/+105°C
Tension Spring	stainless steel
Wire Guard	Cu
Colour	slade grey
	RAL 7032