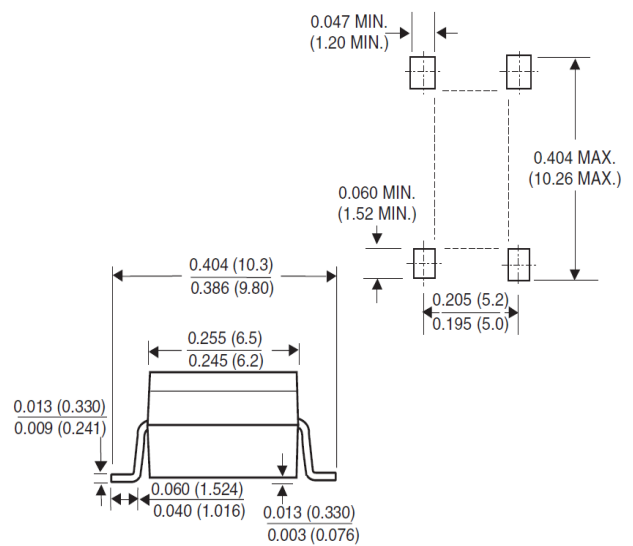
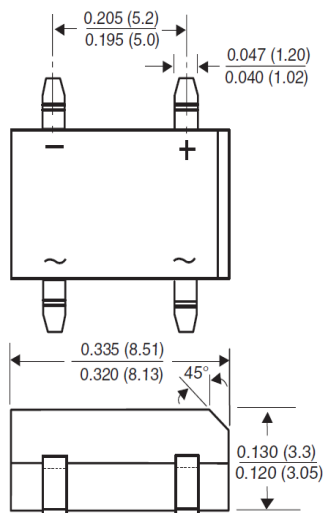
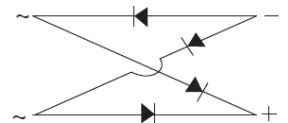


### Mostki prostownicze SMD

Temp.pracy: -50° do + 150°C  
Opakowanie : rurka -50 szt  
13' szpula 1500szt



Symbol:	V <sub>RRM</sub>	V <sub>RMS</sub>	I <sub>F(AV)</sub>	I <sub>FSM</sub>
DF005S	50	35	1.0	50
DF01S	100	70	1.0	50
DF02S	200	140	1.0	50
DF04S	400	280	1.0	50
DF06S	600	420	1.0	50
DF08S	800	560	1.0	50
DF10S	1000	700	1.0	50
DB151S	50	35	1.5	50
DB152S	100	70	1.5	50
DB153S	200	140	1.5	50
DB154S	400	280	1.5	50
DB155S	600	420	1.5	50
DB156S	800	560	1.5	50
DB157S	1000	700	1.5	50



### Mostki prostownicze DIP

Temp. pracy: -55° do + 150°C  
Opakowanie : rurka -50 szt



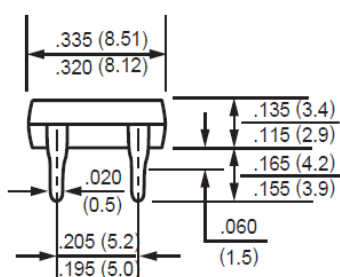
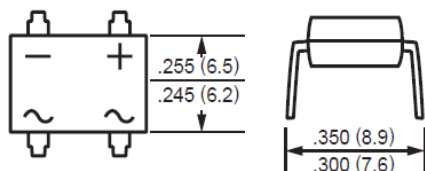
Symbol:	V <sub>RRM</sub>	V <sub>RMS</sub>	I <sub>F(AV)</sub>	I <sub>FSM</sub>
DF005	50	35	1.0	30
DF01	100	70	1.0	30
DF02S	200	140	1.0	30
DF04S	400	280	1.0	30
DF06S	600	420	1.0	30
DF08S	800	560	1.0	30
DF10S	1000	700	1.0	30





**Scalak s.c. J.Różowski, D.Choroś**  
 04-087 Warszawa ul. Igańska 11  
 e-mail:scalak@scalak.com.pl

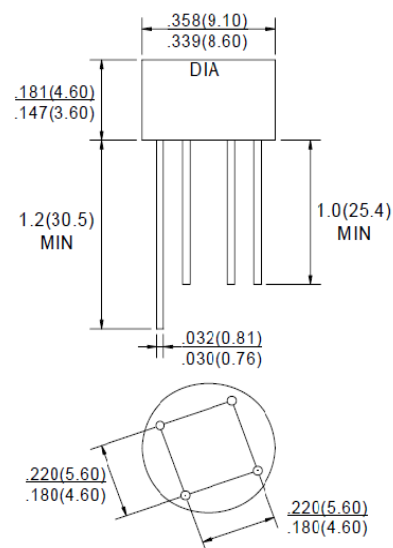
Symbol:	$V_{RRM}$	$V_{RMS}$	$I_{F(AV)}$	$I_{FSM}$
<b>DB151</b>	50	35	1.5	50
<b>DB152</b>	100	70	1.5	50
<b>DB153</b>	200	140	1.5	50
<b>DB154</b>	400	280	1.5	50
<b>DB155</b>	600	420	1.5	50
<b>DB156</b>	800	560	1.5	50
<b>DB157</b>	1000	700	1.5	50



### Mostki prostownicze okrągłe

Temp. pracy: -55<sup>0</sup> do + 125<sup>0</sup>C  
 Opakowanie : pudełko 50 -200 szt

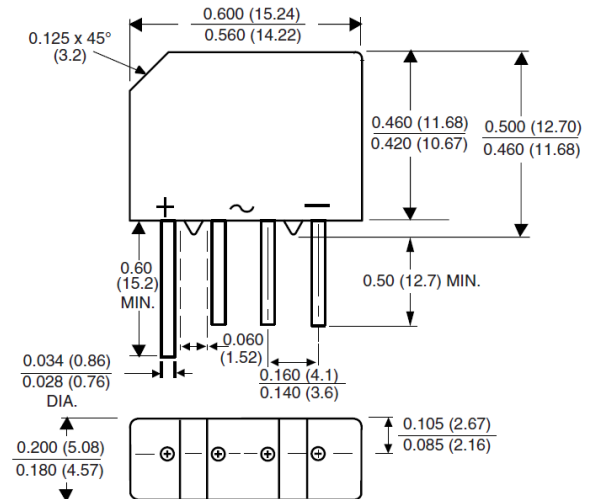
Symbol:	$V_{RRM}$	$V_{RMS}$	$I_{F(AV)}$	$I_{FSM}$
<b>RB151</b>	50	35	1.5	50
<b>RB152</b>	100	70	1.5	50
<b>RB153</b>	200	140	1.5	50
<b>RB154</b>	400	280	1.5	50
<b>RB155</b>	600	420	1.5	50
<b>RB156</b>	800	560	1.5	50
<b>RB157</b>	1000	700	1.5	50
<b>2W01</b>	100	35	2.0	50
<b>2W02</b>	200	140	2.0	50
<b>2W04</b>	400	280	2.0	50
<b>2W06</b>	600	420	2.0	50
<b>2W08</b>	800	560	2.0	50
<b>2W10</b>	1000	700	2.0	50



### Mostki prostownicze płaskie KBP

Temp. pracy: -55° do + 155°C  
Opakowanie : pudełko 200 szt

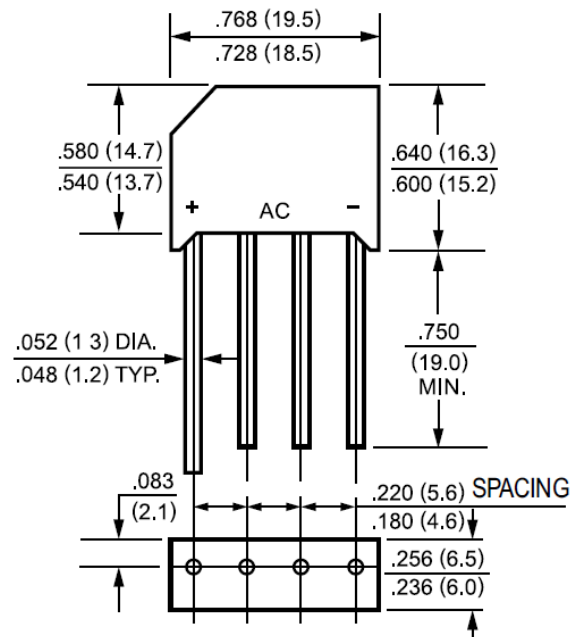
Symbol:	V <sub>RRM</sub>	V <sub>RMS</sub>	I <sub>F(AV)</sub>	I <sub>FSM</sub>
<b>KBP01</b>	100	70	2.0	50
<b>KBP02</b>	200	145	2.0	50
<b>KBP04</b>	400	280	2.0	50
<b>KBP06</b>	600	420	2.0	50
<b>KBP08</b>	800	560	2.0	50
<b>KBP10</b>	1000	700	2.0	50



### Mostki prostownicze płaskie KBL ( 4A )

Temp. pracy: -55° do + 155°C  
Opakowanie : pudełko 100 szt

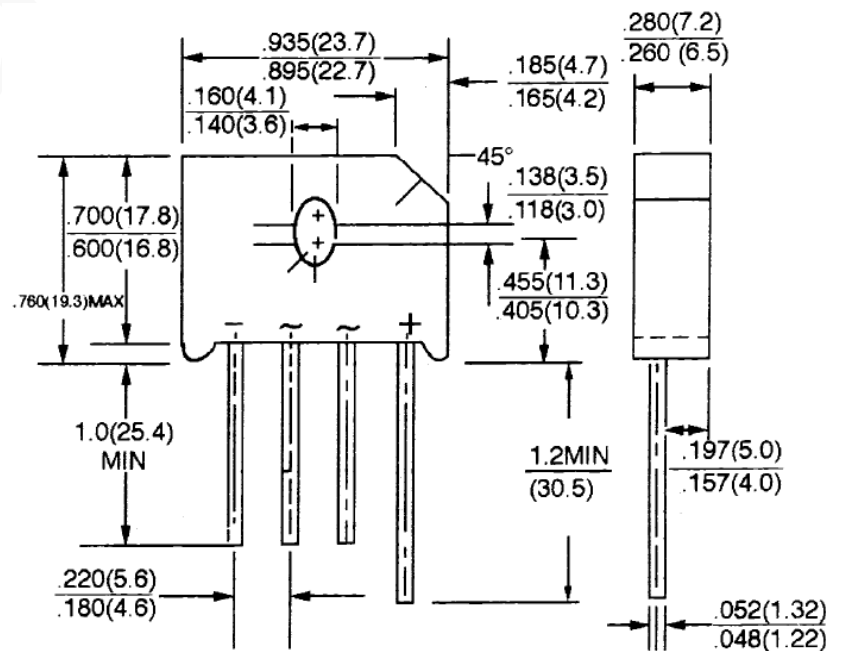
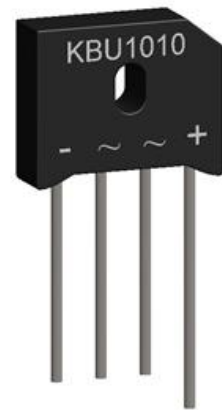
Symbol:	V <sub>RRM</sub>	V <sub>RMS</sub>	I <sub>F(AV)</sub>	I <sub>FSM</sub>
<b>KBL01</b>	100	35	4.0	200
<b>KBL02</b>	200	145	4.0	200
<b>KBL04</b>	400	280	4.0	200
<b>KBL06</b>	600	420	4.0	200
<b>KBL08</b>	800	560	4.0	200
<b>KBL10</b>	1000	700	4.0	200



### Mostki prostownicze płaskie KBU

Temp. pracy: -55° do + 125°C  
Opakowanie : pudełko 100 szt

Symbol:	V <sub>RRM</sub>	V <sub>RMS</sub>	I <sub>F(AV)</sub>	I <sub>FSM</sub>
KBU6A	50	35	6.0	200
KBU6B	100	70	6.0	200
KBU6D	200	145	6.0	200
KBU6G	400	280	6.0	200
KBU6J	600	420	6.0	200
KBU6K	800	560	6.0	200
KBU6M	1000	700	6.0	200
KBU8A	50	35	8.0	250
KBU8B	100	70	8.0	250
KBU8D	200	145	8.0	250
KBU8G	400	280	8.0	250
KBU8J	600	420	8.0	250
KBU8K	800	560	8.0	250
KBU8M	1000	700	8.0	250
KBU10A	50	35	10.0	300
KBU10B	100	70	10.0	300
KBU10D	200	145	10.0	300
KBU10G	400	280	10.0	300
KBU10J	600	420	10.0	300
KBU10K	800	560	10.0	300
KBU10M	1000	700	10.0	300



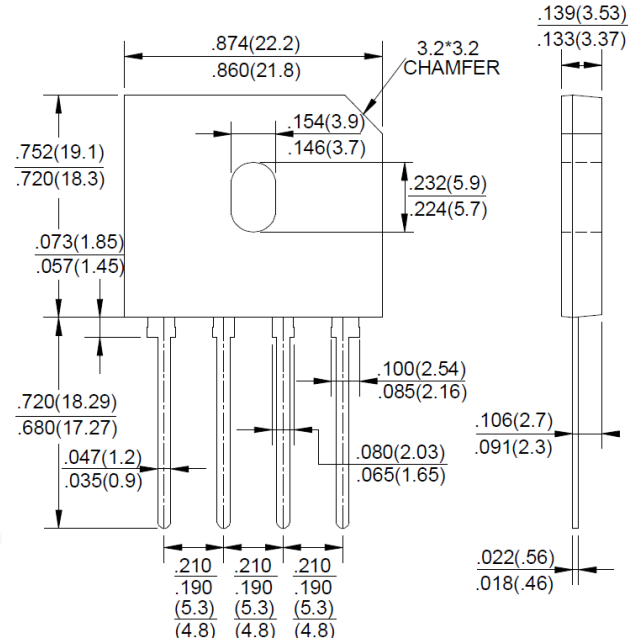
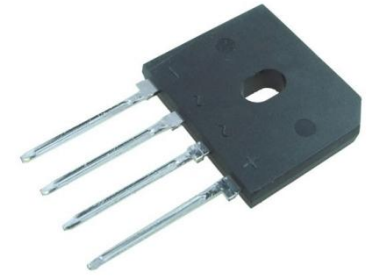


Scalak s.c. J.Różowski, D.Choroś  
04-087 Warszawa ul. Igańska 11  
e-mail:scalak@scalak.com.pl

### Mostki prostownicze płaskie GBU

Temp. pracy: -55° do + 125°C  
Opakowanie : pudełko 100 szt

Symbol:	V <sub>RRM</sub>	V <sub>RMS</sub>	I <sub>F(AV)</sub>	I <sub>FSM</sub>
GBU4A	50	35	4.0	200
GBU4B	100	70	4.0	200
GBU4D	200	145	4.0	200
GBU4G	400	280	4.0	200
GBU4J	600	420	4.0	200
GBU4K	800	560	4.0	200
GBU4M	1000	700	4.0	200
GBU10A	50	35	10.0	300
GBU10B	100	70	10.0	300
GBU10D	200	145	10.0	300
GBU10G	400	280	10.0	300
GBU10J	600	420	10.0	300
GBU10K	800	560	10.0	300
GBU10M	1000	700	10.0	300

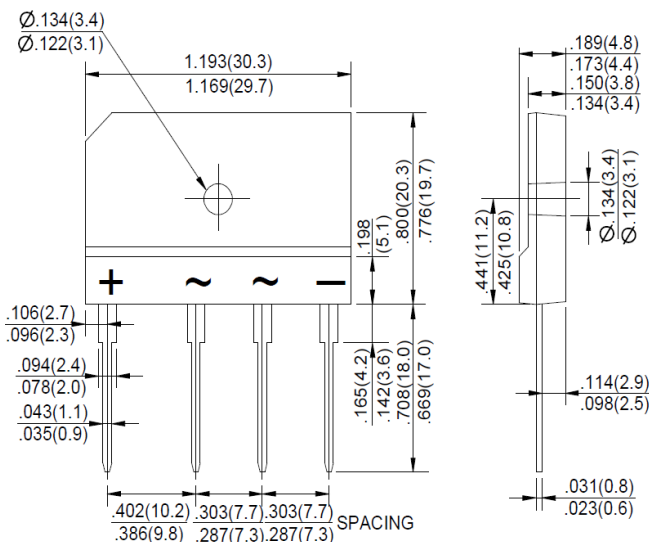


**M.C.C.**

### Mostki prostownicze płaskie GBJ

Temp. pracy: -55° do + 125°C  
Opakowanie : listwa 25 szt

Symbol:	V <sub>RRM</sub>	V <sub>RMS</sub>	I <sub>F(AV)</sub>	I <sub>FSM</sub>
GBJ1501	100	70	15.0	240
GBJ1502	200	145	15.0	240
GBJ1504	400	280	15.0	240
GBJ1506	600	420	15.0	240
GBJ1508	800	560	15.0	240
GBJ1510	1000	700	15.0	240
GBJ2501	100	70	25.0	350
GBJ2502	200	145	25.0	350
GBJ2504	400	280	25.0	350
GBJ2506	600	420	25.0	350
GBJ2508	800	560	25.0	350
GBJ2510	1000	700	25.0	350



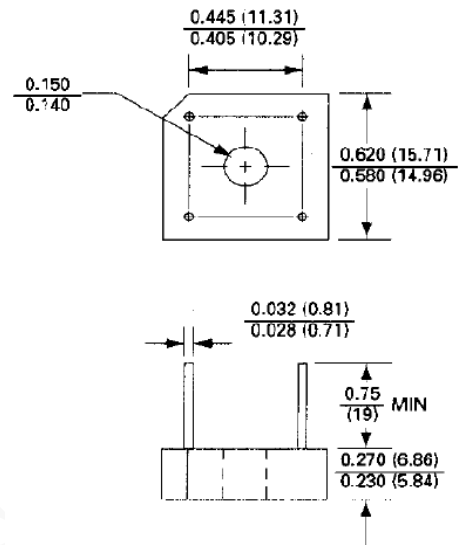
Mostki prostownicze



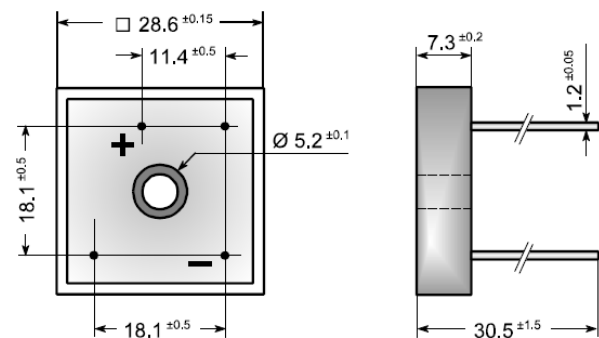
### Mostki prostownicze KBPC obudowa D 46

Temp. pracy: -55° do + 125°C  
Opakowanie : pudełko 100 szt

Symbol: I <sub>FSM</sub>	V <sub>RRM</sub>	V <sub>RMS</sub>	I <sub>F(AV)</sub>	
KBPC101	100	70	3.0	50
KBPC102	200	145	3.0	50
KBPC104	400	280	3.0	50
KBPC106	600	420	3.0	50
KBPC108	800	560	3.0	50
KBPC110	1000	700	3.0	50
KBPC604	400	280	6.0	125
KBPC606	600	420	6.0	125
KBPC608	800	560	6.0	125
KBPC610	1000	700	6.0	125



KBPC1501W	100	70	15.0	200
KBPC1504W	400	280	15.0	200
KBPC1506W	600	420	15.0	200
KBPC1508W	800	560	15.0	200
KBPC1510W	1000	700	15.0	200
KBPC2504W	400	280	25.0	300
KBPC2506W	600	420	25.0	300
KBPC2508W	800	560	25.0	300
KBPC2510W	1000	700	25.0	300
KBPC3504W	400	280	35.0	300
KBPC3506W	600	420	35.0	300
KBPC3508W	800	560	35.0	300
KBPC3510W	1000	700	35.0	300
KBPC5004W	400	280	25.0	400
KBPC5006W	600	420	25.0	400
KBPC5008W	800	560	25.0	400
KBPC5010W	1000	700	25.0	400



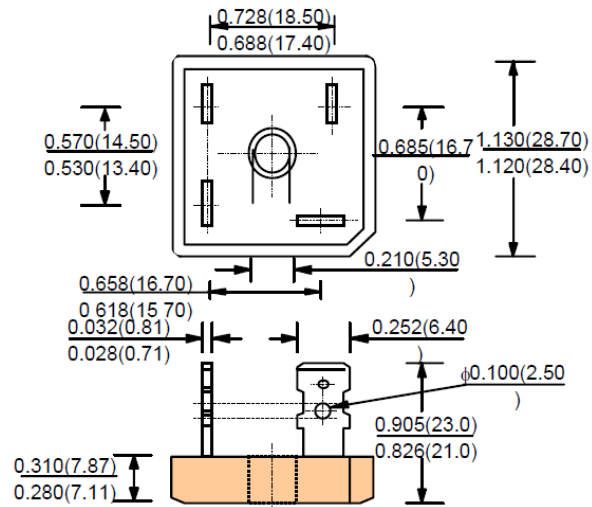
### Mostki prostownicze KBPC konektorowe

Temp. pracy: -55° do + 125°C  
Opakowanie : pudełko 50 szt  
Konektor: 6,3 - standardowy

Symbol:	V <sub>RRM</sub>	V <sub>RMS</sub>	I <sub>F(AV)</sub>	I <sub>FSM</sub>
KBPC1501	100	70	15.0	200
KBPC1504	400	280	15.0	200
KBPC1506	600	420	15.0	200
KBPC1508	800	560	15.0	200
KBPC1510	1000	700	15.0	200



Symbol:	V <sub>RRM</sub>	V <sub>RMS</sub>	I <sub>F(AV)</sub>	I <sub>FSM</sub>
KBPC2504	400	280	25.0	300
KBPC2506	600	420	25.0	300
KBPC2508	800	560	25.0	300
KBPC2510	1000	700	25.0	300
KBPC3504	400	280	35.0	300
KBPC3506	600	420	35.0	300
KBPC3508	800	560	35.0	300
KBPC3510	1000	700	35.0	300
KBPC5004	400	280	50.0	400
KBPC5006	600	420	50.0	400
KBPC5008	800	560	50.0	400
KBPC5010	1000	700	50.0	400
KBPC5012	1200	840	50.0	400
KBPC5014	1400	980	50.0	400
KBPC5016	1600	1120	50.0	400



### Mostki prostownicze trójfazowe

Temp. pracy: -40° do + 150°C  
Opakowanie : pudełko 50 szt  
Konektor: 6,3 - standardowy

Symbol:	V <sub>RRM</sub>	V <sub>FM</sub> (I <sub>FM</sub> =8.5)	I <sub>F(AV)</sub>	I <sub>FSM</sub>
SKBPC2504	400	1.2	25.0	400
SKBPC2506	600	1.2	25.0	400
SKBPC2508	800	1.2	25.0	400
SKBPC2510	1000	1.2	25.0	400
SKBPC2512	1200	1.2	25.0	400
SKBPC2514	1400	1.2	25.0	400
SKBPC2516	1600	1.2	25.0	400
		V <sub>FM</sub> (I <sub>FM</sub> =12.0)		
SKBPC3504	400	1.2	35.0	400
SKBPC3506	600	1.2	35.0	400
SKBPC3508	800	1.2	35.0	400
SKBPC3510	1000	1.2	35.0	400
SKBPC3510	1200	1.2	35.0	400
SKBPC3510	1400	1.2	35.0	400
SKBPC3510	1600	1.2	35.0	400

