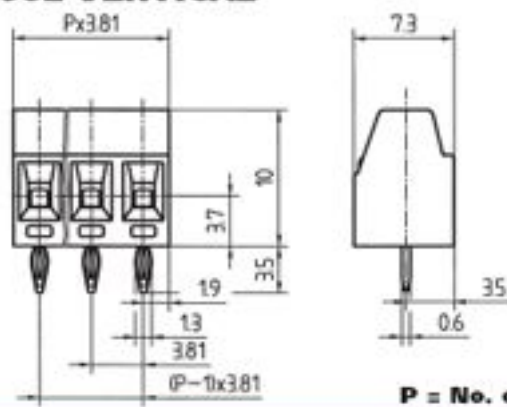
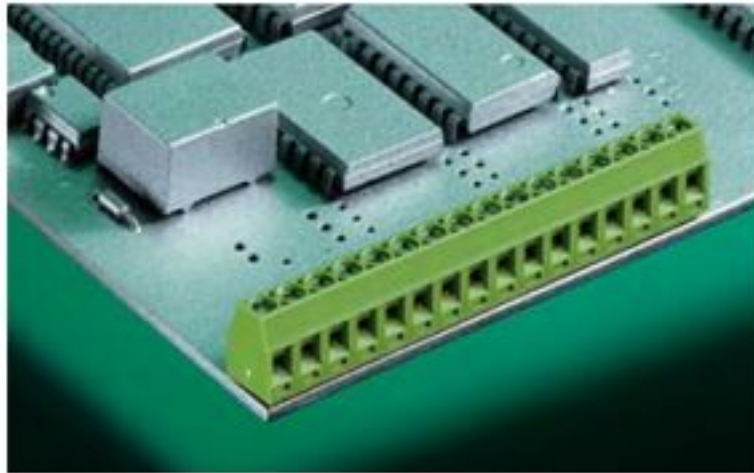


EAKZ 602 VERTICAL



P = No. of poles



EAKZ 602/.. - 3,81 - V - green

**2-16 poles, Spacing 3.81 mm
insert required no. of poles ..**

Ratings:

* Approval pending

	 *	 *	 *
	UL 1059	CSA 22.2 No. 158	EN 60998
Rated Voltage	300 V	300 V	130 V
Rated Current	10 A	10 A	13,5 A (T60)
Wire Size	AWG 30-16	AWG 30-16	1,0 mm ²
Test Voltage			1,25 kV
Rated Torque / Screw Size			0,4 Nm/M2
Max. Rated Cross Section			
Single Wired (solid)			1,5 mm ²
Stranded Wire (flexible)			1,0 mm ²
Stranded wire with Ferrules			0,5 mm ²

Dimensions

Spacing	3,81 mm
PCB Contact Hole Diameter	1,0 ^{+0,09} / _{0,06} mm
Stripped Length	5,0 mm

Materials

Insulating Material	PA
Flammability Class	UL94 V-0
Temperature Range	-30°C/+105°C
Terminal Block	CuZn
Wire Guard	CuSn
Colour	
green	RAL 6018