

AKZ120/..DS-5.08-V-GREY



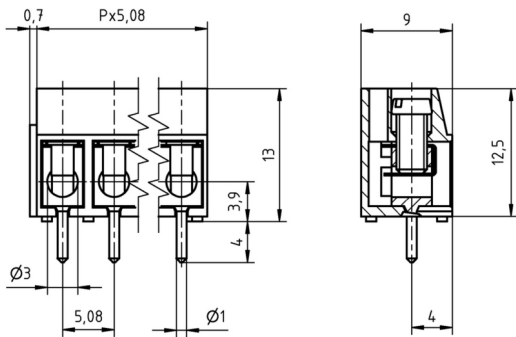
Technical Data

Wire sizes		Insulating Material	
Solid min	0.2 mm ²	Material	PA 6.6
Solid max	2.5 mm ²	Flammability Class	UL 94 V-0
Stranded (flexible) min	0.2mm ²	Temperatures	
Stranded (flexible) max	2.5 mm ²	Operating Temperature	-30 °C - 105 °C
Stranded with Ferrule min	0.2 mm ²	Store Temperature	-40 °C - 105 °C
Stranded with Ferrule max	2.5 mm ²	Wave Soldering Process	
Dimensions		Soldering Temperature, recommended	265 °C
Stripped Length	7.0 mm	Peak Soldering Time, recommended	3-4 s
PCB Hole Diameter	1.3 mm	Reflow Process	
Materials		Soldering Temperature, recommended	-
Clamp	Brass	Peak Soldering Time, recommended	-
Wire Guard	Stainless Steel		
Screw	Steel		

Colours

	GREY, RAL 7016
	BLACK, RAL 9011
	BLUE, RAL 5015




Colours according to RAL, there may be variations on colour due to production conditions. Special colours on request.



Order Data (Spacing 5.08 mm)

Poles	Width (mm)	Article Designation	Article Number	PU
2	10.86	AKZ120/2DS-5.08-V-GREY	50120020110 G	250
3	15.94	AKZ120/3DS-5.08-V-GREY	50120030110 G	250
4	21.02	AKZ120/4DS-5.08-V-GREY	50120040110 G	250
5	26.10	AKZ120/5DS-5.08-V-GREY	50120050110 G	250
6	31.18	AKZ120/6DS-5.08-V-GREY	50120060110 F	200
7	36.26	AKZ120/7DS-5.08-V-GREY	50120070110 F	200
8	41.34	AKZ120/8DS-5.08-V-GREY	50120080110 E	100
9	46.42	AKZ120/9DS-5.08-V-GREY	50120090110 E	100
10	51.50	AKZ120/10DS-5.08-V-GREY	50120100110 E	100
11	56.58	AKZ120/11DS-5.08-V-GREY	50120110110 E	100
12	61.66	AKZ120/12DS-5.08-V-GREY	50120120110 E	100

Accessoires

Figure	Designation	Article Number
	Bridge, 2-pole, insulated, BRI/2-5.0/5.08-LIGHT GREY	Art.-Nr. 50000000006
	Bridge, 3-pole, insulated, BRI/3-5.0/5.08-LIGHT GREY	Art.-Nr. 50000000007
	Bridge, 2-pole, BR/2-5.0/5.08-L7.0	Art.-Nr. 50000000008

See pages 282 ff for detail and general accessories and see pages 12/13 concerning services.

Ratings

UseGroup	cRU [®] US			VDE	
	B	C	D		
Rated Voltage	300 V	-	300 V	250 V	
Rated Current	20 A	-	10 A	24 A	
Rated Wire Size				min	max
- solid	AWG 22-12	-	AWG 22-12	0.5 mm ²	2.5 mm ²
- stranded	AWG 22-12	-	AWG 22-12	0.5 mm ²	2.5 mm ²
Torque	0.45 Nm	-	0.45 Nm	0.50 Nm	
Screw Size	M3	-	M3	M3	
Test Voltage	1.60 kV	-	1.60 kV	2.0 kV	