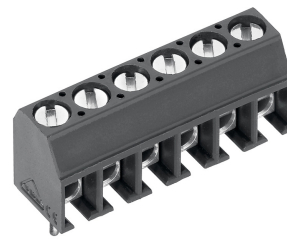


# AK550/..DS-3.5-V-GREY



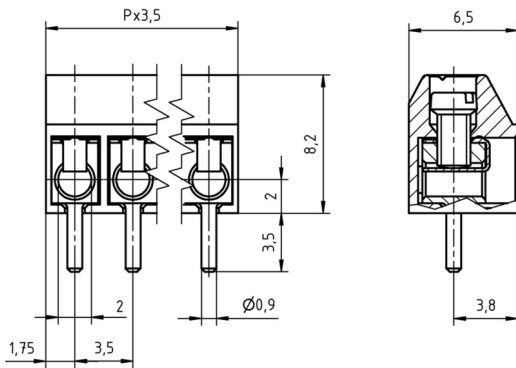
## Technical Data

Wire sizes		Insulating Material	
Solid min	0.08 mm <sup>2</sup>	Material	PA 6.6
Solid max	1.5 mm <sup>2</sup>	Flammability Class	UL 94 V-0
Stranded (flexible) min	0.08mm <sup>2</sup>	<b>Temperatures</b>	
Stranded (flexible) max	1.0 mm <sup>2</sup>	Operating Temperature	-30 °C - 105 °C
Stranded with Ferrule min	0.14 mm <sup>2</sup>	Store Temperature	-40 °C - 105 °C
Stranded with Ferrule max	0.5 mm <sup>2</sup>	<b>Wave Soldering Process</b>	
<b>Dimensions</b>		Soldering Temperature, recommended	265 °C
Stripped Length	5.5 mm	Peak Soldering Time, recommended	3-4 s
PCB Hole Diameter	1.2 mm	<b>Reflow Process</b>	
<b>Materials</b>		Soldering Temperature, recommended	-
Clamp	Brass	Peak Soldering Time, recommended	-
Wire Guard	Stainless Steel		
Screw	Steel		

## Colours

	GREY, RAL 7016
	PEBBLE GREY, RAL 7032
	GREEN, RAL 6018
	LIGHT GREEN, similar RAL 6018

Colours according to RAL, there may be variations on colour due to production conditions. Special colours on request.



## Order Data (Spacing 3.5 mm)

Poles	Width (mm)	Article Designation	Article Number	PU
2	7.00	AK550/2DS-3.5-V-GREY	50550020121 G	250
3	10.50	AK550/3DS-3.5-V-GREY	50550030121 G	250
4	14.00	AK550/4DS-3.5-V-GREY	50550040121 G	250
5	17.50	AK550/5DS-3.5-V-GREY	50550050121 G	250
6	21.00	AK550/6DS-3.5-V-GREY	50550060121 G	250
7	24.50	AK550/7DS-3.5-V-GREY	50550070121 G	250
8	28.00	AK550/8DS-3.5-V-GREY	50550080121 E	100
9	31.50	AK550/9DS-3.5-V-GREY	50550090121 E	100
10	35.00	AK550/10DS-3.5-V-GREY	50550100121 D	50
11	38.50	AK550/11DS-3.5-V-GREY	50550110121 D	50
12	42.00	AK550/12DS-3.5-V-GREY	50550120121 D	50
13	45.50	AK550/13DS-3.5-V-GREY	50550130121 D	50
14	49.00	AK550/14DS-3.5-V-GREY	50550140121 D	50
15	52.50	AK550/15DS-3.5-V-GREY	50550150121 D	50
16	56.00	AK550/16DS-3.5-V-GREY	50550160121 D	50

## Accessoires

Figure	Designation	Article Number
	Bridge, 2-pole, insulated, BR/2-7.0/7.62-L7.5-LIGHT GREY	Art.-Nr. 50000000018
	Bridge, 2-pole, angled, BR/2-3.5/3.81-H-L7.5	Art.-Nr. 50000000029
	Bridge, 2-pole, BR/2-3.5/3.81-L7.5	Art.-Nr. 50000000015
	Bridge, 3-pole, BR/3-3.5/3.81-L7.5	Art.-Nr. 50000000016

See pages 282 ff for detail and general accessories and see pages 12/13 concerning services.

## Ratings

UseGroup	C <sup>®</sup> RW <sup>®</sup> US			VDE	
	B	C	D		
Rated Voltage	125 V	-	-	130 V	
Rated Current	6 A	-	-	13.5 A	
Rated Wire Size				min	max
- solid	AWG 28-16	-	-	0.5 mm <sup>2</sup>	1.0 mm <sup>2</sup>
- stranded	AWG 28-16	-	-	0.5 mm <sup>2</sup>	1.0 mm <sup>2</sup>
Torque	0.25 Nm	-	-	0.20 Nm	
Screw Size	M2	-	-	M2	
Test Voltage	1.25 kV	-	-	1.25 kV	