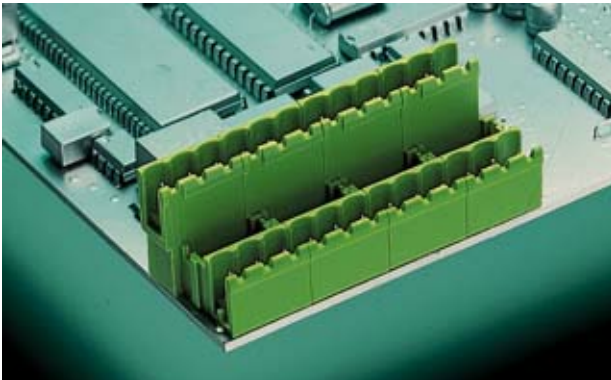
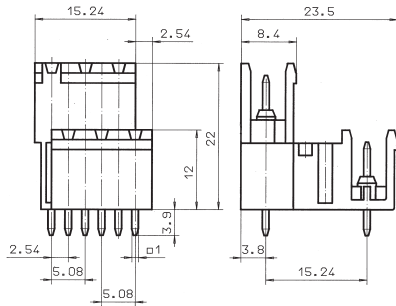


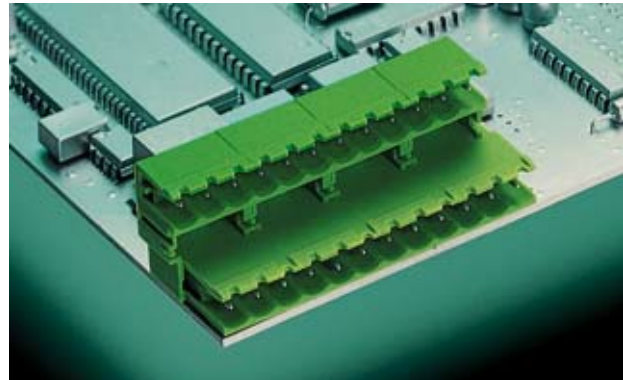
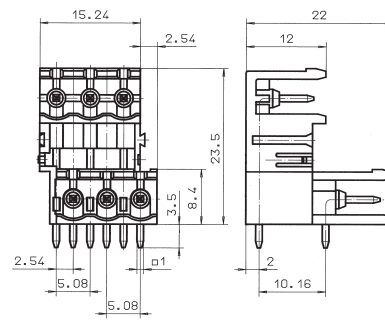
### STLZ 970 VERTICAL



**STLZ 970/.. - 5,08 - V - green**

**2-12 poles, Spacing 5,08 mm  
insert required no. of poles ..**




### STLZ 970 HORIZONTAL






**STLZ 970/.. - 5,08 - H - green**

**2-12 poles, Spacing 5,08 mm  
insert required no. of poles ..**

#### Ratings:

			
	UL 1059	CSA 22.2 No. 158	DIN VDE 0627
Rated Voltage	300 V	300 V	250 V
Rated Current	15 A	15 A	12 A (T60)
Rating Impulse Voltage/Dirt Level			4 kV/3

#### Ratings:

			
	UL 1059	CSA 22.2 No. 158	DIN VDE 0627
Rated Voltage	300 V	300 V	250 V
Rated Current	15 A	15 A	12 A (T60)
Rating Impulse Voltage/Dirt Level			4 kV/3

#### Dimensions

Spacing	5,08 mm
PCB Hole Diameter	1,4 mm

#### Materials

Insulating Material	PA
Flammability Class	UL94 V-0
Temperature Range	-30°C/+105°C
Contact Pin	Cu

#### Colour

green	RAL 6018
-------	----------

#### Dimensions

Spacing	5,08 mm
PCB Hole Diameter	1,4 mm

#### Materials

Insulating Material	PA
Flammability Class	UL94 V-0
Temperature Range	-30°C/+105°C
Contact Pin	Cu

#### Colour

green	RAL 6018
-------	----------