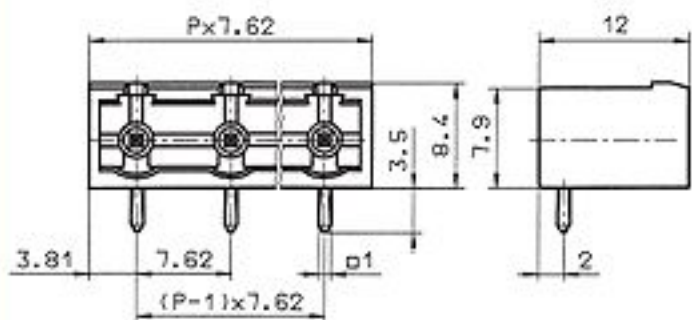
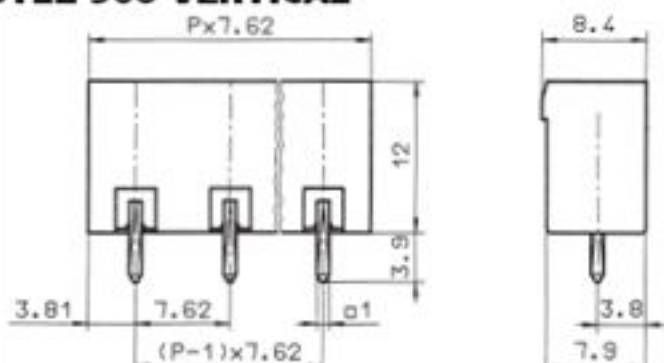


STLZ 960 HORIZONTAL

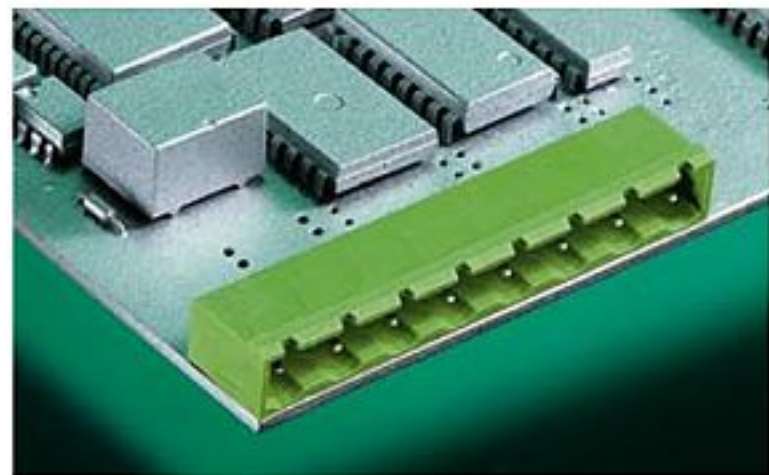


P = No. of poles

STLZ 960 VERTICAL

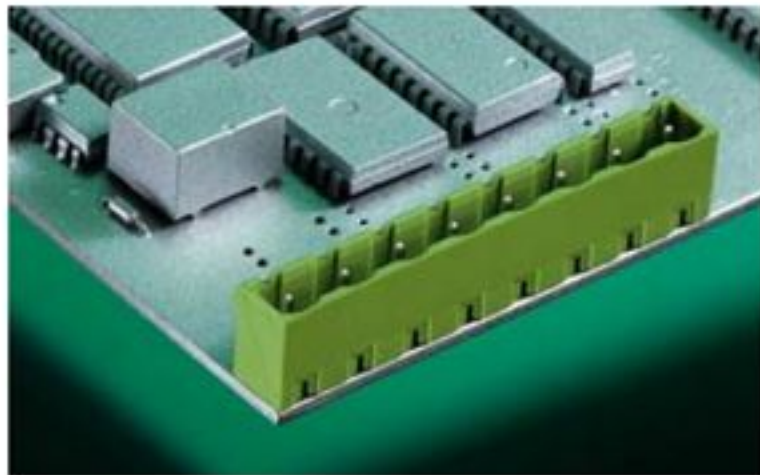


P = No. of poles



STLZ 960/.. G - 7,62 - H - green

2-16 poles, Spacing 7,62 mm
insert required no. of poles ..



STLZ 960/.. G - 7,62 - V - green

2-16 poles, Spacing 7,62 mm
insert required no. of poles ..

Ratings:



UL 1059

Rated Voltage

300 V

Rated Current

15 A

Rating Impulse Voltage/Dirt Level



CSA 22.2 No. 158

300 V

15 A



DIN VDE 0627

400 V

12 A (T60)

6 kV/3

Ratings:



UL 1059

Rated Voltage

300 V

Rated Current

15 A

Rating Impulse Voltage/Dirt Level



CSA 22.2 No. 158

300 V

15 A



DIN VDE 0627

400 V

12 A (T60)

6 kV/3

Dimensions

Spacing	7,62 mm
PCB Hole Diameter	1,4 mm

Materials

Insulating Material	PA
Flammability Class	UL94 V-0
Temperature Range	-30°C/+105°C
Contact Pin	Cu

Colour

green	RAL 6018
-------	----------

Dimensions

Spacing	7,62 mm
PCB Hole Diameter	1,4 mm

Materials

Insulating Material	PA
Flammability Class	UL94 V-0
Temperature Range	-30°C/+105°C
Contact Pin	Cu

Colour

green	RAL 6018
-------	----------