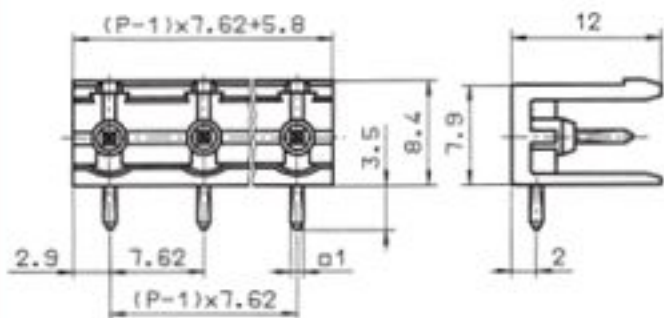
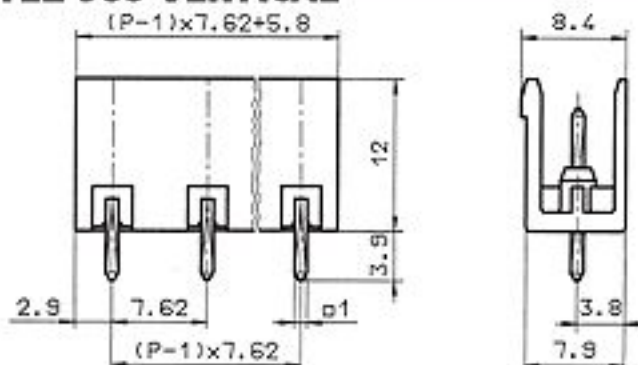


STLZ 960 HORIZONTAL

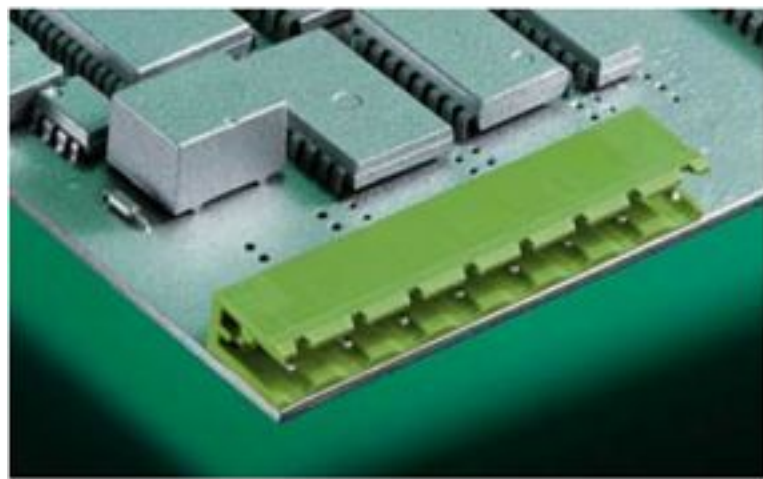


P = No. of poles

STLZ 960 VERTICAL

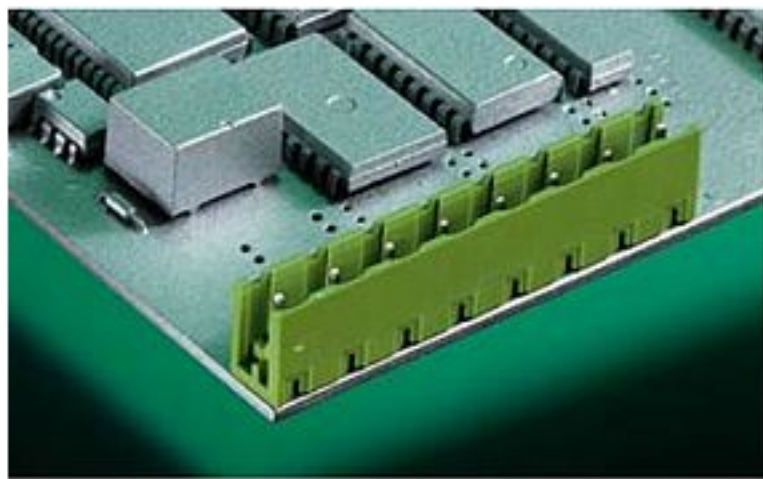


P = No. of poles



STLZ 960/.. - 7,62 - H - green

2-16 poles, Spacing 7,62 mm
insert required no. of poles ..



STLZ 960/.. - 7,62 - V - green

2-16 poles, Spacing 7,62 mm
insert required no. of poles ..

Ratings:



UL 1059



CSA 22.2 No. 158



DIN VDE 0627

Rated Voltage

300 V

300 V

400 V

Rated Current

15 A

15 A

12 A (T60)

Rating Impulse Voltage/Dirt Level

6 kV/3

Ratings:



UL 1059



CSA 22.2 No. 158



DIN VDE 0627

Rated Voltage

300 V

300 V

400 V

Rated Current

15 A

15 A

12 A (T60)

Wire Size

AWG 22-12

AWG 28-12

2,5 mm²

Rating Impulse Voltage/Dirt Level

6 kV/3

Dimensions

Spacing 7,62 mm

PCB Hole Diameter 1,4 mm

Materials

Insulating Material PA

Flammability Class UL94 V-0

Temperature Range -30°C/+105°C

Contact Pin Cu

Colour

green RAL 6018

Dimensions

Spacing 7,62 mm

PCB Hole Diameter 1,4 mm

Materials

Insulating Material PA

Flammability Class UL94 V-0

Temperature Range -30°C/+105°C

Contact Pin Cu

Colour

green RAL 6018