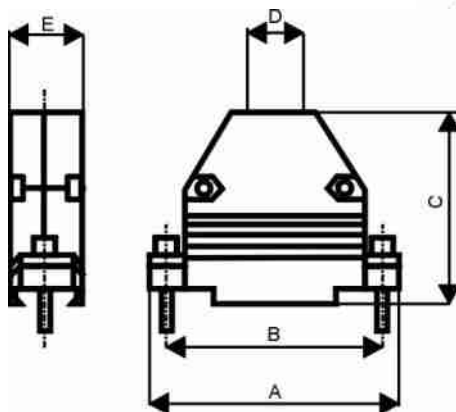


Oslony złącz D-SUB

Oslony metalowe typu V, PH...V

Symbol	I. pinów
PH 9V	9
PH 15V	15
PH 25V	25
BU 37V	37



I. pinów	(mm)	A	B	C	D	E
9		31,1	25,0	45,0	7,0	16,8
15		38,5	32,6	43,4	7,0	15,5
25		52,0	45,7	45,0	10,0	16,0
37		72,0	63,5	45,0	56,5	20,0

Oslony metalowe typu U

Symbol	I. pinów
PH 9UL	9
PH 15UL	15
PH 25UL	25

