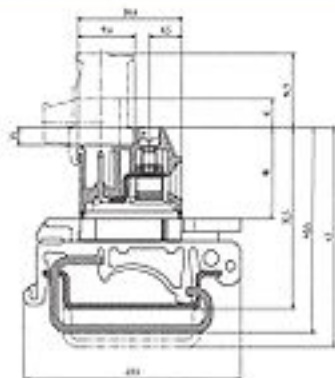
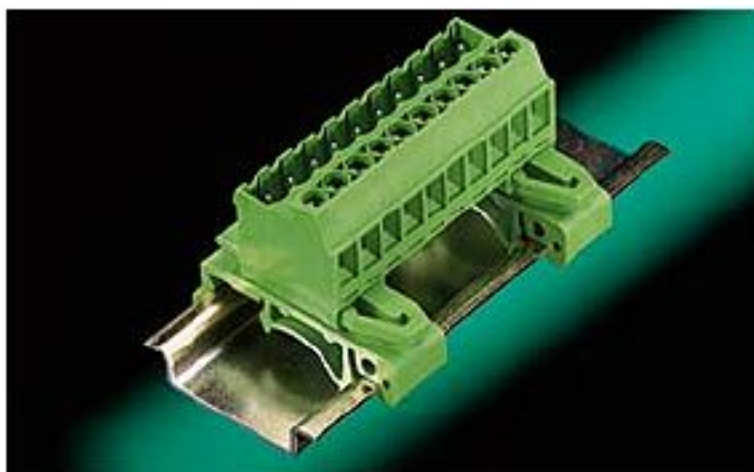


AKZS 950



P = No. of poles



AKZS 950/.. - 5,08 - green

**2-24 poles, Spacing 5,08 mm
insert required no. of poles ..**

Ratings:

* Approval pending



UL 1059



CSA 22.2 No. 158



DIN VDE 0627

Rated Voltage

300 V

300 V

250 V

Rated Current

15 A

15 A

12 A (T60)

Wire Size

AWG 28-12

AWG 28-12

2,5 mm²

Test Voltage

2,21 kV

Rated Torque / Screw Size

0,5 Nm/M3

Max. Rated Cross Section

Single Wire (solid)

2,5 mm²

Stranded Wire (flexible)

2,5 mm²

Stranded wire with Ferrules

2,5 mm²

Dimensions

Spacing

5,08 mm

Stripped Length

6,0 mm

DIN Rail

TS35 DIN EN 50022
TS35 DIN EN 50035

Materials

Insulating Material

PA

Flammability Class

UL94 V-0

Temperature Range

-30°C/+105°C

Terminal Block

CuZn

Contact

Cu

Colour

green
RAL 6018