

AK2200/..-5.0-V-GREEN

- 1- to n-poles



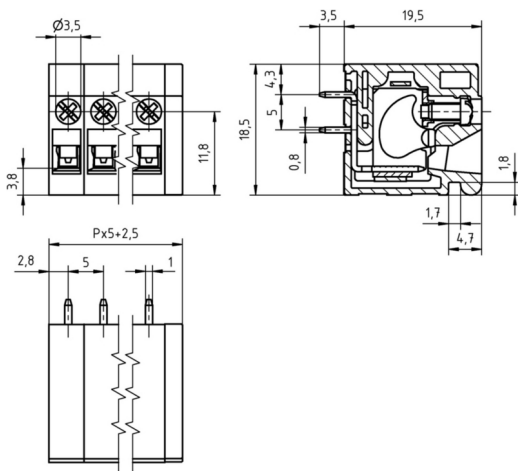
Technical Data

Wire sizes		Insulating Material	
Solid min	0.2 mm ²	Material	PA 6.6
Solid max	4.0 mm ²	Flammability Class	UL 94 V-0
Stranded (flexible) min	0.2mm ²	Temperatures	
Stranded (flexible) max	2.5 mm ²	Operating Temperature	-30 °C - 105 °C
Stranded with Ferrule min	0.25 mm ²	Store Temperature	-40 °C - 105 °C
Stranded with Ferrule max	2.5 mm ²	Wave Soldering Process	
Dimensions		Soldering Temperature, recommended	265 °C
Stripped Length	9.0 mm	Peak Soldering Time, recommended	3-4 s
PCB Hole Diameter	1.3 mm	Reflow Process	
Materials		Soldering Temperature, recommended	-
Screw	Steel	Peak Soldering Time, recommended	-
Solder Tab	Copper Alloy		
Clamp Cage	Steel		
Excenter	Steel		

Colours

	GREEN, RAL 6018
	BLACK, RAL 9011
	LIGHT GREEN, similar RAL 6018


Colours according to RAL, there may be variations on colour due to production conditions. Special colours on request.



Order Data (Spacing 5.0 mm)

Poles	Width (mm)	Article Designation	Article Number	PU
1	7.50	AK2200/1-5.0-V-GREEN	52200010001 E	100
2	12.50	AK2200/2-5.0-V-GREEN	52200020001 D	50
3	17.50	AK2200/3-5.0-V-GREEN	52200030001 D	50
4	22.50	AK2200/4-5.0-V-GREEN	52200040001 D	50
5	27.50	AK2200/5-5.0-V-GREEN	52200050001 D	50
6	32.50	AK2200/6-5.0-V-GREEN	52200060001 D	50
7	37.50	AK2200/7-5.0-V-GREEN	52200070001 D	50
8	42.50	AK2200/8-5.0-V-GREEN	52200080001 D	50
9	47.50	AK2200/9-5.0-V-GREEN	52200090001 D	50
10	52.50	AK2200/10-5.0-V-GREEN	52200100001 D	50
11	57.50	AK2200/11-5.0-V-GREEN	52200110001 D	50
12	62.50	AK2200/12-5.0-V-GREEN	52200120001 D	50

Accessoires

Figure	Designation	Article Number
	Spacer SPC-AK2200-GREEN	Art.-Nr. 52200000002

See pages 282 ff for detail and general accessories and see pages 12/13 concerning services.

Ratings

UseGroup	C ^{RU} US			VDE	
	B	C	D		
Rated Voltage	300 V	150 V	300 V	250 V	
Rated Current	20 A	20 A	10 A	24 A	
Rated Wire Size				min	max
- solid	AWG 30-12	AWG 30-12	AWG 30-12	0.5 mm ²	2.5 mm ²
- stranded	AWG 30-12	AWG 30-12	AWG 30-12	0.5 mm ²	2.5 mm ²
Torque	0.50 - 0.60 Nm	0.50 - 0.60 Nm	0.50 - 0.60 Nm	0.50 Nm	
Screw Size	M2.5	M2.5	M2.5	M2.5	
Test Voltage	1.60 kV	1.30 kV	1.60 kV	2.0 kV	